

**The revolutionary conception:**

Electric Torque Wrenches  
**alkitronic-EF / EFW**

forward-looking  
drive technic on  
highest quality level

- micro processor controlled
- brush-free  
synchronized motor
- maintenance-free and  
low in wear



**alkitronic-EFW**



**alki**  
TECHNIK  
GmbH

®

**alkitronic**

# alkitronic® - EF-Torque Wrench

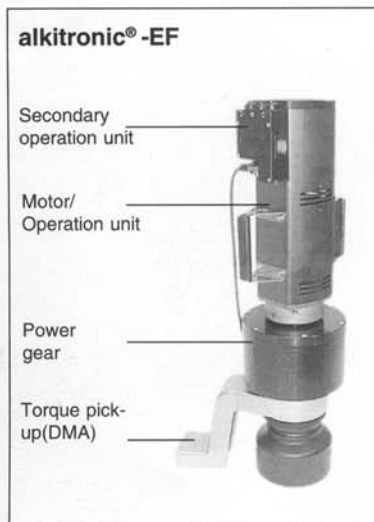
## Informations

### alkitronic® -EF.... - the new generation of continuous rotating torque wrenches!

**Convincing drive concept:** The electric-and frequency controlled brush-free synchronized tool of alkitronic

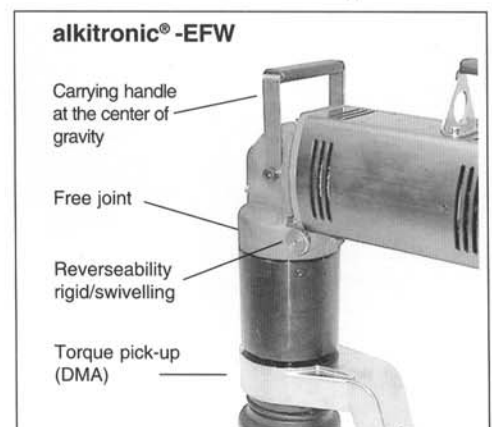
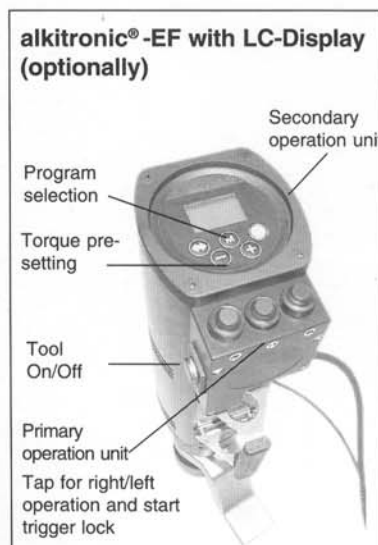
- consistent quality of your screwings and low running costs (maintenance-free and low in wear)
- **highest mounting speed:** 3 times faster as conventional electrical drives
- **highest precision:** exact shut-off when reaching required torque due to reduction of shut-off speed  
Advantage: centrifugal force of motor and gearing does not impair shut-off torque
- suitable for all **international electric networks** (100-253V/45-66Hz)
- **exact shut-off** also in operation with **emergency unit**
- **large torque range** due to 19 selectable shut-off torques
- **safe tool operation** due to ergonomic operation concept
- **all-weather construction** alkitronic® - torque wrench with protection art IP 54 optionally available

The **alkitronic® - torque wrenches** are available in the following construction styles: **Series EF** - Type of construction: upright. The new series for torque range from 160 to 40.000 Nm. **Series -EFW** - Type of construction: angled, suitable for applications in narrow spaces. Highly suitable for vertical screwing with horizontal service position, within torque range from 160 to 40.000 Nm



### Technical Details: alkitronic® -EF, -EFW

- Torque speed, frequency and torque are correspondingly regulated and controlled. **Microcontrolled monitoring combined with a processor controlled switch-off electronic** guarantee precise repeatability of pre-set torque. Repeatable accuracy for switch-off  $\pm 5\%$  for identically soft and hard joints.
- **Two principles of construction within one tool:**
  - A** - free joint tool / service unit independent of torque pick-up DMA.
  - B** - Fixed joint between motor / service unit and power gear - mechanically reversible (rigid connection).
- **LED-Display:** Light-emitting diode displays pre-set torque within 19 stages as well as adjusted torque direction.
- **LC-Display (optional):** Pre-set torque and sense of rotation are displayed alphanumerical on an illuminated display.
- **New ergonomic operation units**, primary- and secondary operation unit  
**Primary operation unit:** Switching ON/OFF of tool; slow and comfortable right / left rotation for safe and precise positioning of tool (tap operation) as well as start of tightening.  
**Secondary operation unit:** Adjustment of shut-off torque and sense of rotation (LED-version). LCD version displays torque values concretely on the display.

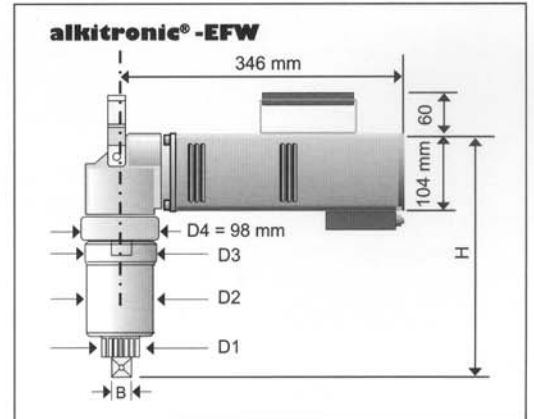
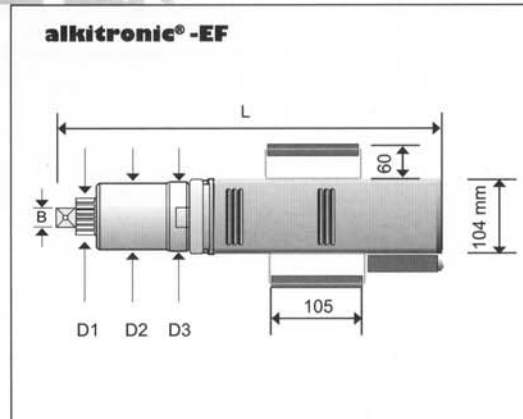


# alkitronic® - EF-Torque Wrench

## Technical Details alkitronic® -EF and EFW

### Annotation:

Torque ranges are in accordance with the flow chart. The following torque ranges are theoretical standard dates based on an aligned tool electronic. Depending on soft and hard joints  $M_D$ -deviations are possible. Deviations from calibrated values specific to each tool may also be possible.



### Specifications alkitronic® -EF

Series EF	Type	EF 100	EF 200	EF 250	EF 300	EF 400	EF 600	EF 800	EF 1000	EF 2000	EF 4000
Torque range approx.*	Nm	160-1080	300-2100	435-2695	500-3100	900-4250	1100-6150	1800-7800	2050-9800	5300-20600	6240-42120
Square drive	B	3/4"/1"	1"	1"	1"	1 1/2"	1 1/2"	1 1/2"	1 1/2"	2 1/2"	2 1/2"
Diameter approx.	D <sub>1</sub> mm	41/54	54	54	72	72	72	72	91	SW120	SW120
Diameter	D <sub>2</sub> mm	85	85	85	98	98	123	148	173	275	275
Diameter	D <sub>3</sub> mm	88	88	88	88	88	123	148	173	98	130
Length	L mm	515	515	515	515	525	550	555	555	650	650
Weight without support approx.	kg	13	13	13	14	14,5	19	22	27	60	62
Idle speed approx.	U/min	33	16	14	12	8	7	4	3	1	0,6
Price	EUR										

### Specifications alkitronic® -EFW

Series EFW	Type	EFW 100	EFW 200	EFW 250	EFW 300	EFW 400	EFW 600	EFW 800	EFW 1000	EFW 2000	EFW 4000
Torque range approx.*	Nm	160-1080	300-2100	435-2695	500-3100	900-4250	1100-6150	1800-7800	2050-9800	5300-20600	6240-42120
Square drive	B	3/4"	1"	1"	1"	1 1/2"	1 1/2"	1 1/2"	1 1/2"	2 1/2"	2 1/2"
Diameter approx.	D <sub>1</sub> mm	54	54	54	72	72	72	72	91	SW120	SW120
Diameter	D <sub>2</sub> mm	85	85	85	98	98	123	148	173	275	275
Diameter	D <sub>3</sub> mm	88	88	88	88	88	98	148	173	98	130
Height	H mm	285	285	515	305	320	350	350	380	440	440
Weight without support approx.	kg	13,6	13,6	13,6	13,6	15,8	19,8	23,8	29	61,7	62
Idle speed approx.	U/min	33	16	14	12	8	7	4	3	1	0,6
Price	EUR										

\* Note: At maximum load please take into consideration an available reserve of 20% for loosening torques.

Technical details are subject to be changed

alkitronic® -EF/-EFW with CE-Certification. Protection Class I. Protection Art IP 20 (Basic), Protection Art IP 54 optional, additional Protection Arts upon request.

# alkitronic® -EF..

## Future has begun - Protection Art IP 54 is reality

No matter if it rains or if it snows .....

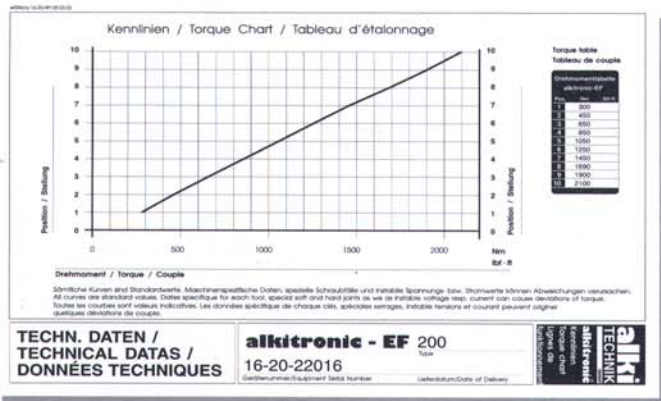
...the allweather torque wrench alkitronic®-EF with Protection Art IP 54 is now available



### The great advantage:

Assembly works with the alkitronic®-EF or -EFW as of now weather independent.

Flow chart (Example) to determine torque values in relation to required torque ranges.



### Accessory:

You will find a large range of standard equipment in our accessory leaflet!

Subject to confirmation, plus packing and VAT

The new generation of torque wrench -  
**alkitronic-EF / EFW**  
much faster, more powerful

alkitronic-EF



alkitronic-EFW



alkitronic-EFR



Made in Germany

EF/alki/1/160502/R

Specifications are subject to be changed without notice

product of  
**alki**  
**TECHNIK**  
GmbH

Münchener Str. 53  
D-85051 Ingolstadt  
Phone. 08 41/ 9 74 99-0  
Telefax 08 41/ 7 50 41  
info@alkitechnik.de  
www.alkitechnik.de